

# ARMAC MARTIN™

## How to install your Cotswold Brass Kitchen Towel Rail

We recommend using a qualified tradesman for installation.

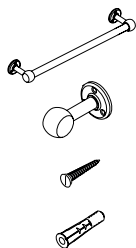
### Contents

Pot rail

End brackets

Screws No 8 x  $\frac{3}{4}$ "

Wall plugs



### Tools Required

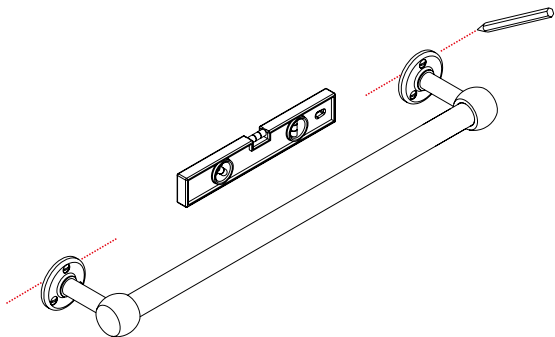
- Appropriate safety equipment i.e. safety glasses
- Wire/pipe & power detector
- Spirit level
- Drill
- Screwdriver
- Tape measure
- Pencil
- Hammer

## Step 1 - Safety

Use a wire/pipe power detector to ensure that there are no electrical cables or water pipes where you intend to position the kitchen rail.

## Step 2 - Positioning

Ensure the kitchen rail is positioned as you require, use a pencil and spirit-level to mark the fixing holes for your kitchen rail.

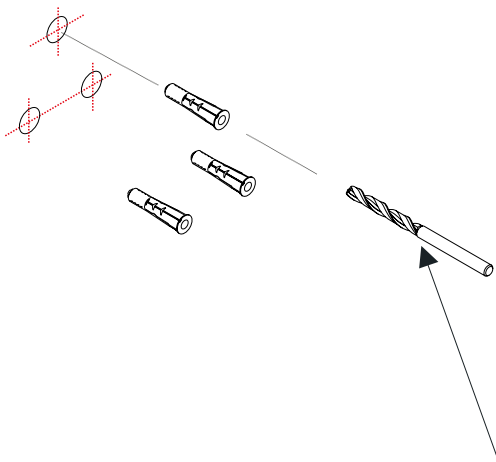


## Step 3 - Drilling

Use a suitable size wood drill bit for fitting to cabinets and/or wood. Drill into the surface on the dead centre point of all your screw hole markings. Drill the holes deep enough to fully accommodate the wall plugs.

## Step 4 - Insert wall plugs (if fitting to wall)

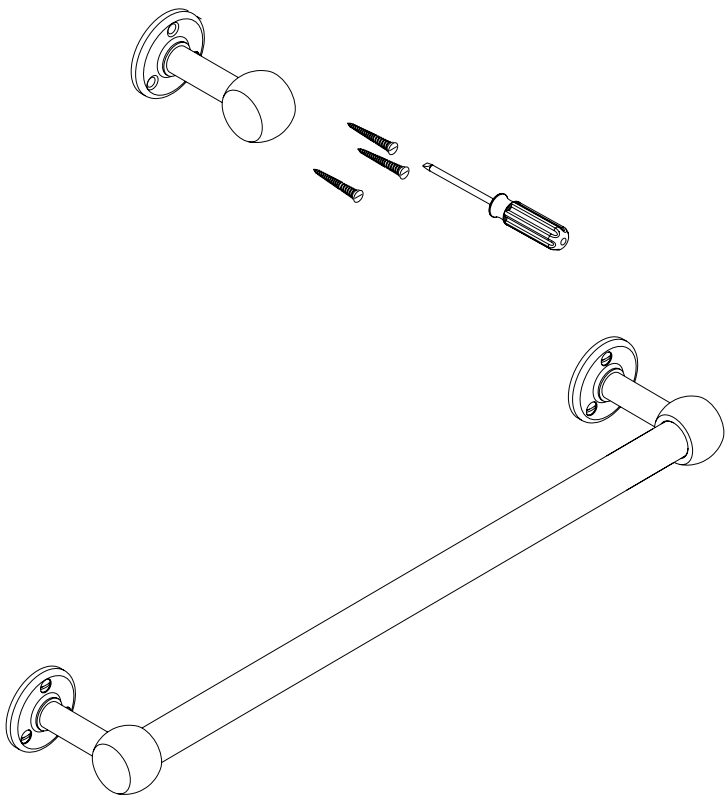
Insert the wall plugs into the drilled holes. Ensure that the wall plugs are fully inserted and that they all sit flush. Tap gently with a hammer, if necessary. If any of your wall plugs are protruding, they will prevent your kitchen rail from sitting flush to the wall when mounted.



Diameter 8mm masonry drill for walls  
Diameter 3mm drill for wood/cabinets

## Step 5 - Fix your kitchen rail

With the tube in both end brackets and including the centre bracket if supplied. Screw the brackets to wall using the screws provided with a screwdriver.



# Finish Care & Cleaning

Thank you for purchasing your Cotswold Brass Kitchen  
Towel Rail from Armac Martin.  
Our products are of the finest quality and hand finished.

Please follow the below care guide to maintain the  
condition of the product.

- Wipe your product down with a soft dry cloth
- Do not use abrasive cleaners, ammoniated products, rubbing alcohol, detergents, astringents, bleach based cleaners, aggressive chemicals, abrasive cleaning pads, or harsh polishes on the product