

ARMAC MARTIN™

How to install your Cotswold Brass Pot Rail

We recommend using a qualified tradesman for installation.

Contents

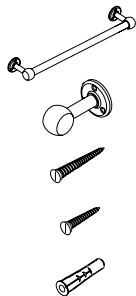
Pot rail

Brackets

Screws No 8 x 2"

Screws No 8 x 3/4"

Wall plugs



Tools Required

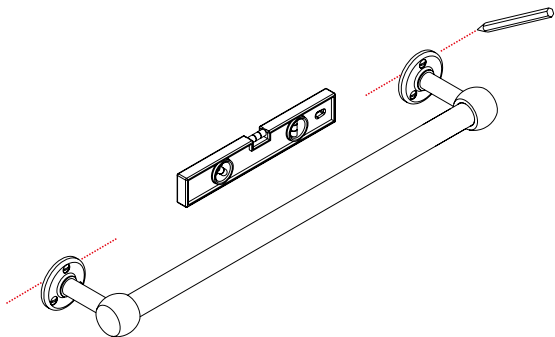
- Appropriate safety equipment i.e. safety glasses
- Wire/pipe & power detector
- Spirit level
- Drill
- Screwdriver
- Tape measure
- Pencil
- Hammer

Step 1 - Safety

Use a wire/pipe power detector to ensure that there are no electrical cables or water pipes where you intend to position the pot rail.

Step 2 - Positioning

Ensure the pot rail is positioned as you require, use a pencil and spirit-level to mark the fixing holes for your pot rail.

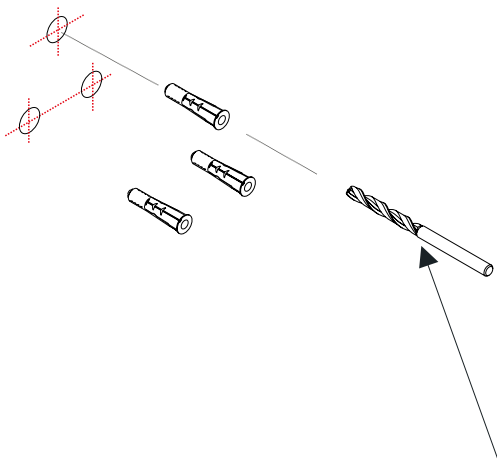


Step 3 - Drilling

Use a suitable size wood drill bit for fitting to cabinets and/or wood. For studed, plasterboard, stone, brick or breezeblock walls, use a masonry bit. Drill into the surface on the dead centre point of all your screw hole markings. Drill the holes deep enough into the wall to fully accommodate the wall plugs.

Step 4 - Insert wall plugs (if fitting to wall)

Insert the wall plugs into the drilled holes. Ensure that the wall plugs are fully inserted and that they all sit flush to the wall. Tap gently with a hammer, if necessary. If any of your wall plugs are protruding, they will prevent your pot rail from sitting flush to the wall when mounted.



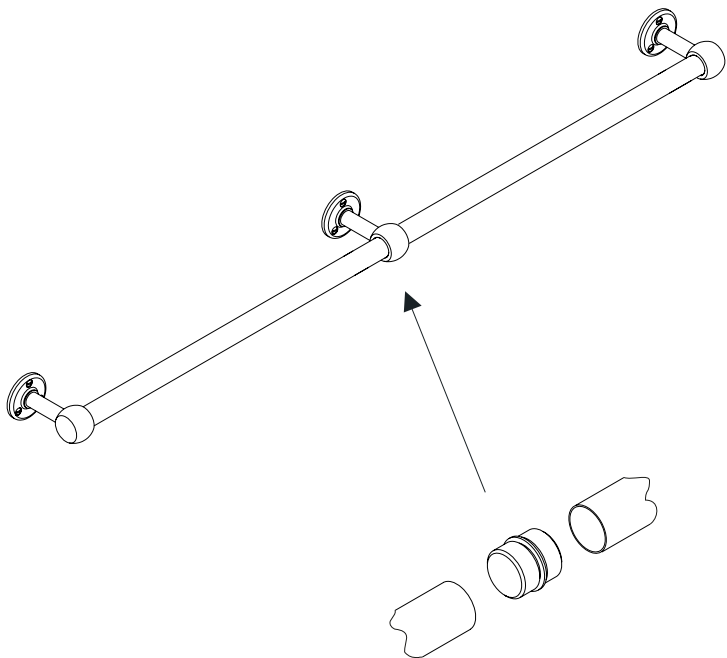
Diameter 8mm masonry drill for walls
Diameter 3mm drill for wood/cabinets

Please note, if you have purchased a pot rail **smaller than 1200mm**, please skip to step 6.

For pot rails **larger than 1200mm**, you will be supplied with a centre bracket, this can be fitted following steps 1 to 4.

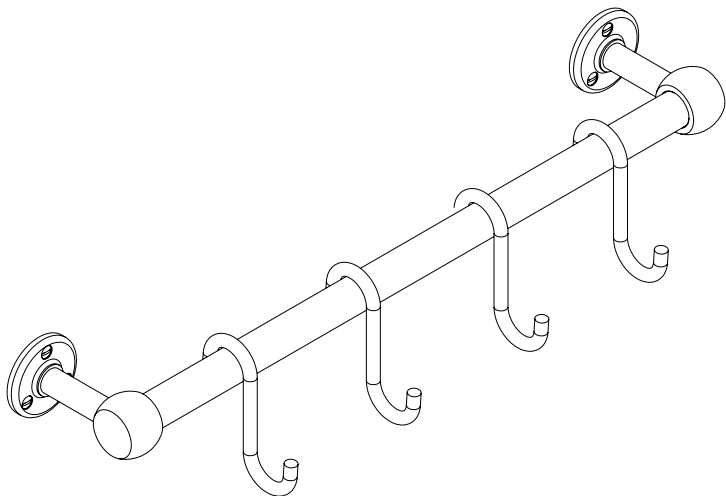
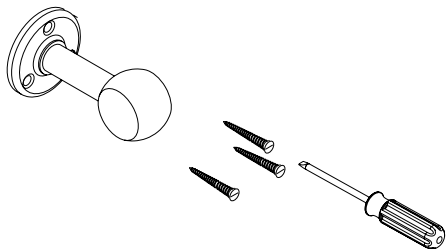
Step 5 - Extra tube

To combine the tubes, a joint piece supplied must be screwed into the tubes.



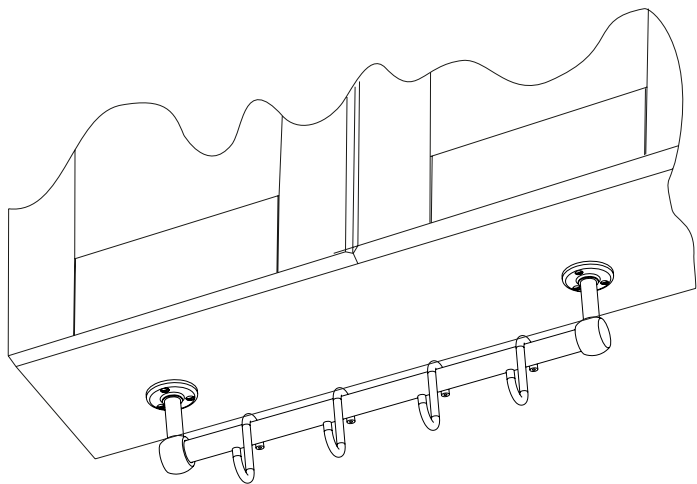
Step 6 - Fix Pot Rail to the wall

With the tube in both end brackets and including the centre bracket if supplied. Screw the brackets to wall using the screws provided with a screwdriver.



Under-Cupboard Fitting

Pot rails can be fitted under cupboards using alternative screws - no 8 x $\frac{3}{4}$ " or a suitable length to suit your cupboards.



Finish Care & Cleaning

Thank you for purchasing your Cotswold Brass Pot Rail from Armac Martin. Our products are of the finest quality and hand finished.

Please follow the below care guide to maintain the condition of the product.

- Wipe your product down with a soft dry cloth
- Do not use abrasive cleaners, ammoniated products, rubbing alcohol, detergents, astringents, bleach based cleaners, aggressive chemicals, abrasive cleaning pads, or harsh polishes on the product